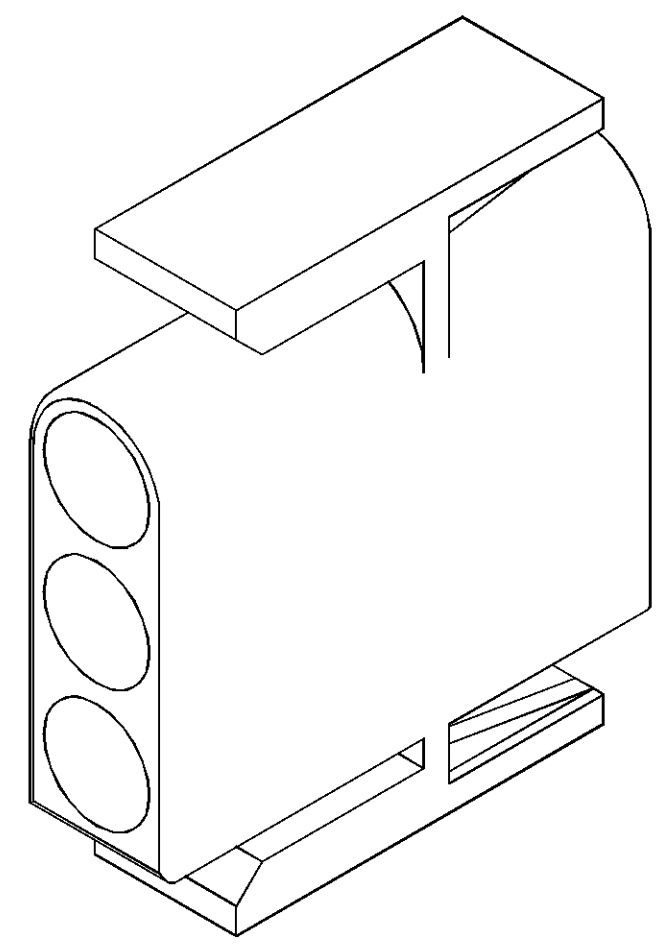


1. TO BE USED WITH .140 SERIES SOCKETS.
  2. TO BE USED WITH CAP 350347.
- ⚠ FOR FOREIGN PRODUCTION ONLY



3-DIMENSIONAL MODEL  
NTS



6.99	.275	-	-
6.10	.240	26.80	1.055
3.56	.140	24.13	.950
0.13	.005	19.18	.755
MM	IN	MM	IN



⚠	RED	NYLON, UL94V-2	1-350346-2
	NATURAL	NYLON, UL94V-2	1-350346-0
	COLOR	MATERIAL	PART NUMBER

<small>THIS DRAWING IS A CONTROLLED DOCUMENT FOR AMP INCORPORATED. IT IS SUBJECT TO CHANGE AND THE CONTROLLING ENGINEERING REGULATION SHALL BE CONTACTED FOR THE LATEST REVISION.</small>		DWN: J. HUFFMAN 8-14-95 CHK: R. SWING 8-14-95 APVD: C. MARTIN 8-15-95	<b>AMP</b> AMP Incorporated Harrisburg, PA 17105-3608
DIMENSIONS: mm 	TOLERANCES UNLESS OTHERWISE SPECIFIED: Ø PLG ±.013 PLG ±.013 PLG ±.013 PLG ±.013 ANGLES ±.0°30' FINISH -	PRODUCT SPEC: - APPLICATION SPEC: - WEIGHT: -	NAME: PLUG, 3 CIRCUIT, .140 MATE-N-LOK™ SIZE: A1 CAGE CODE: 00779 DRAWING NO: C-350346 SCALE: 5:1 SHEET: 1 OF 1 REV: L
MATERIAL: NYLON, UL 94V-0, NATURAL		CUSTOMER DRAWING	